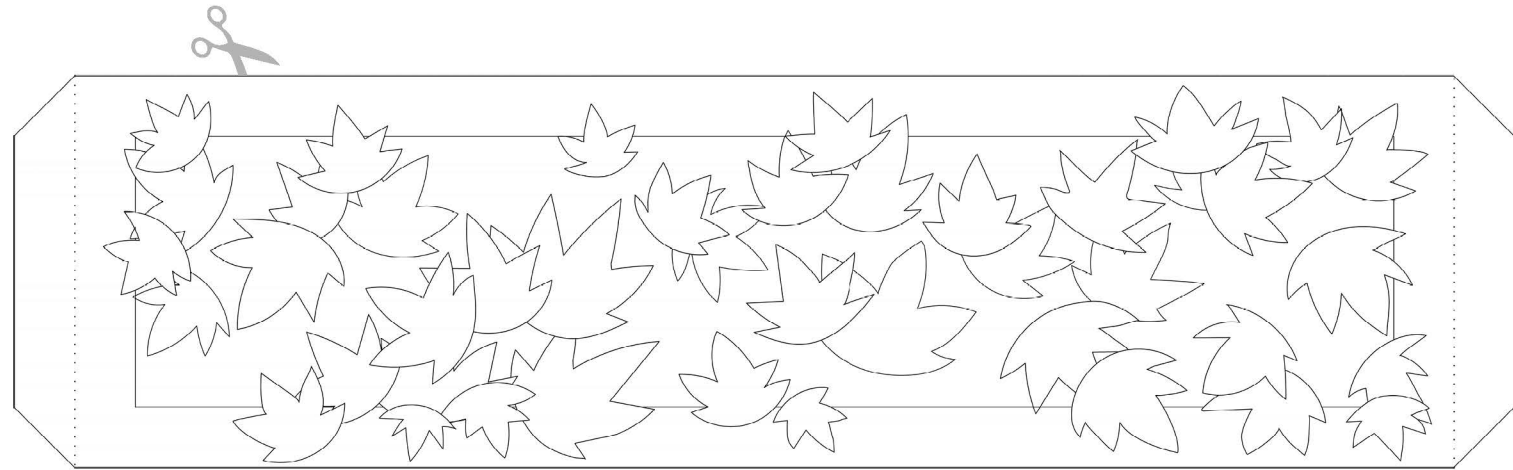




STEP 1

Print the sheets onto A4 paper.

If possible, use a sturdier paper stock, such as a 60 lbs / 130 gsm smooth cartridge. Heavyweight (100 lbs / 220 lbs) cartridge or smooth watercolour paper is also suitable.



STEP 2

Colour in.

STEP 3

Cut the shapes out with scissors.



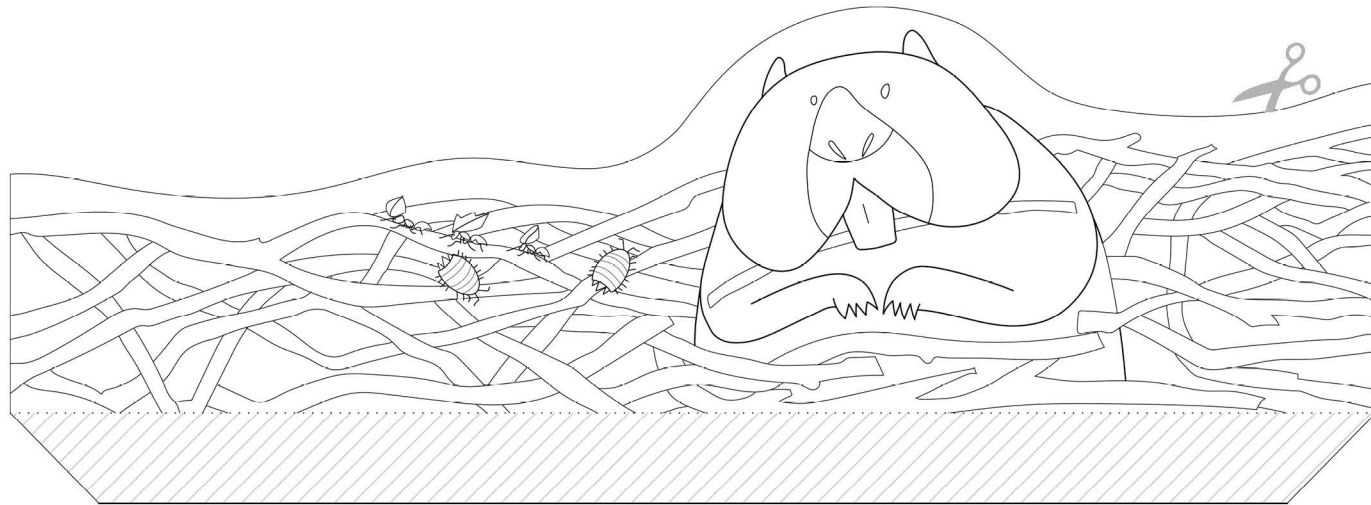
STEP 4

Fold the tabs along the dotted lines.

If using thicker paper, you may want to score the sheet before folding.

STEP 5

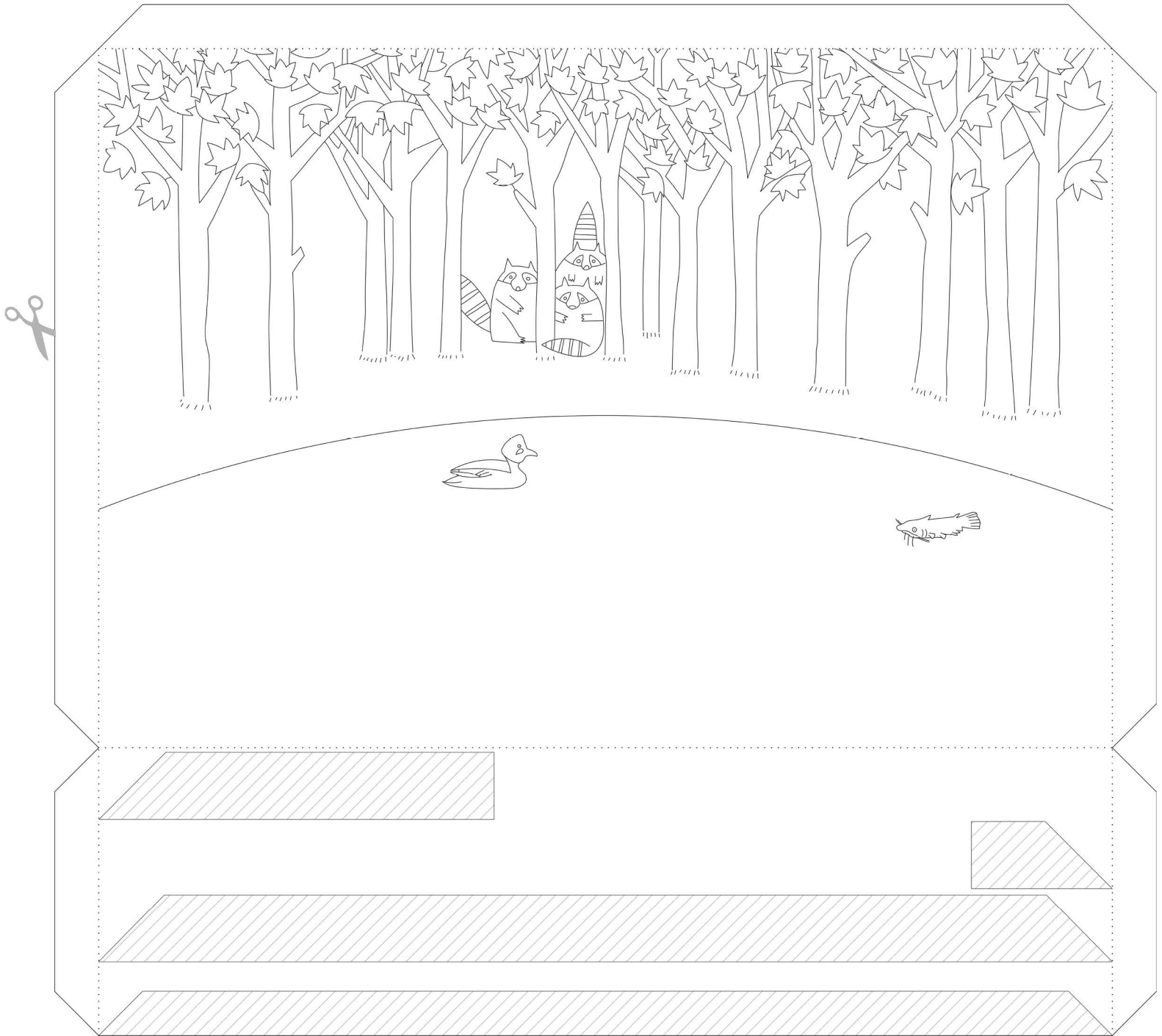
Follow the visual instructions on page 5 to assemble and glue.



BIOME IN A BOX



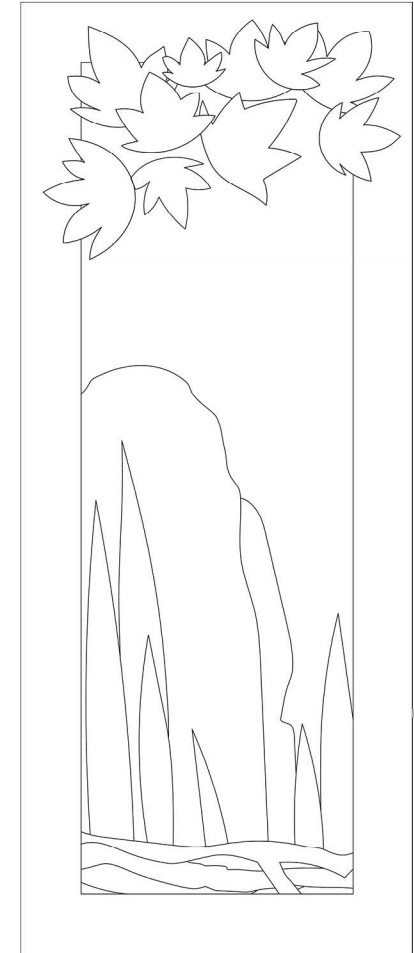
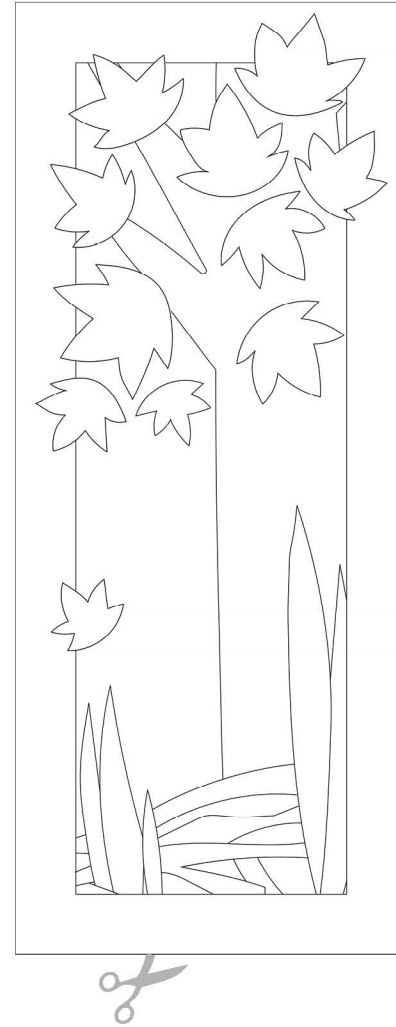
© Elvire Thouvenot-Nitzan 2016
elvirethouvenot.com



BIOME IN A BOX



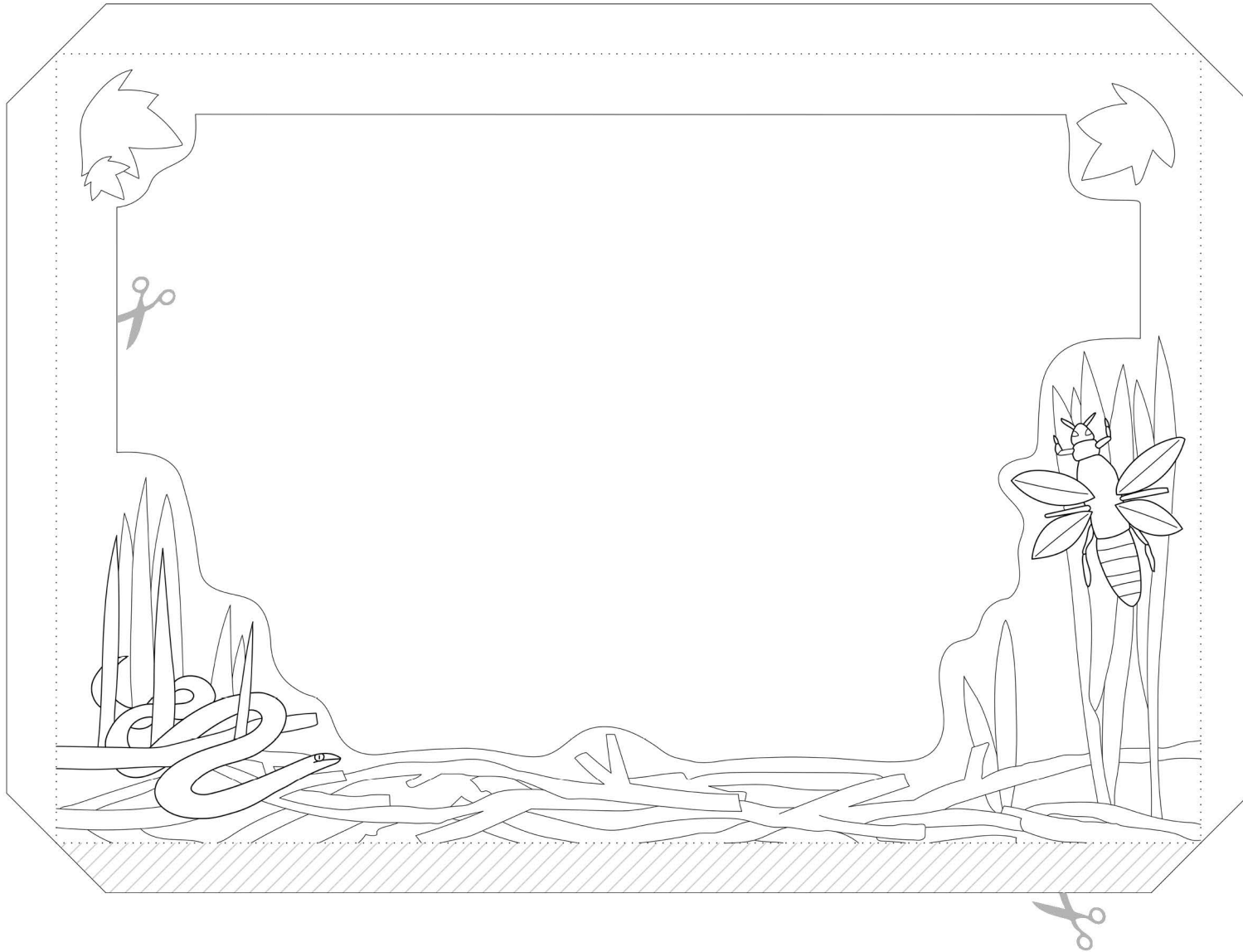
© Elvire Thouvenot-Nitzan 2016
elvirethouvenot.com

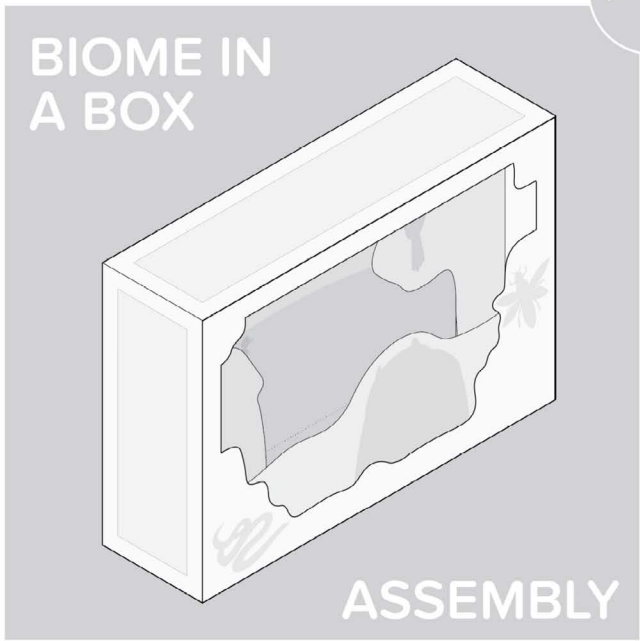


BIOME IN A BOX

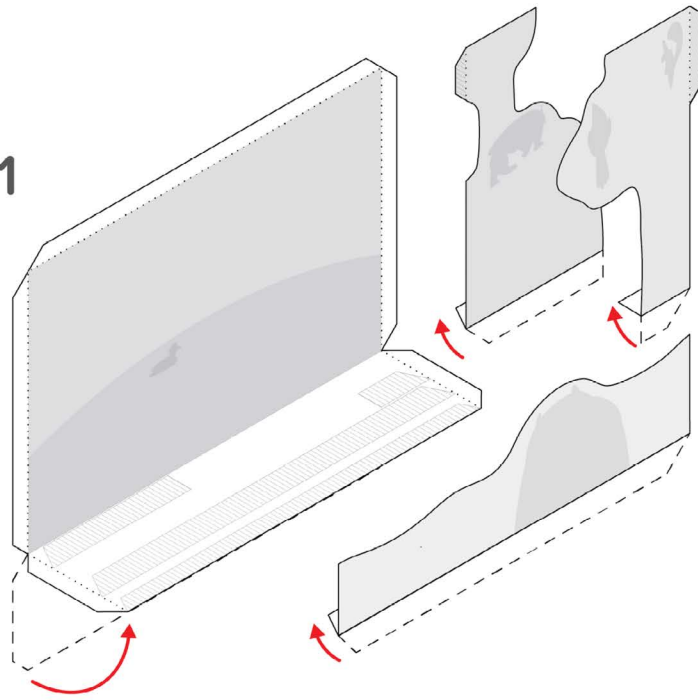


© Elvire Thouvenot-Nitzan 2016
elvirethouvenot.com

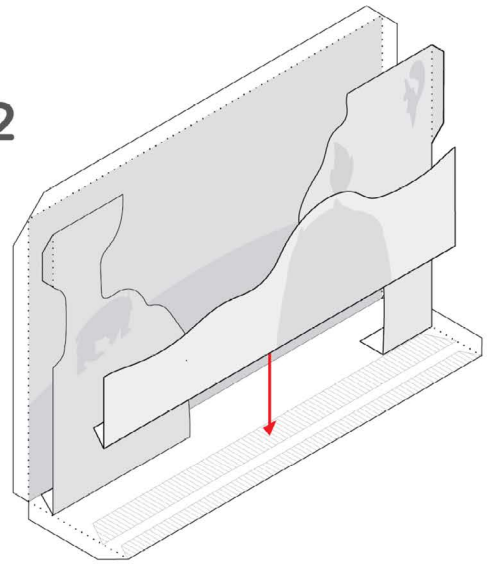




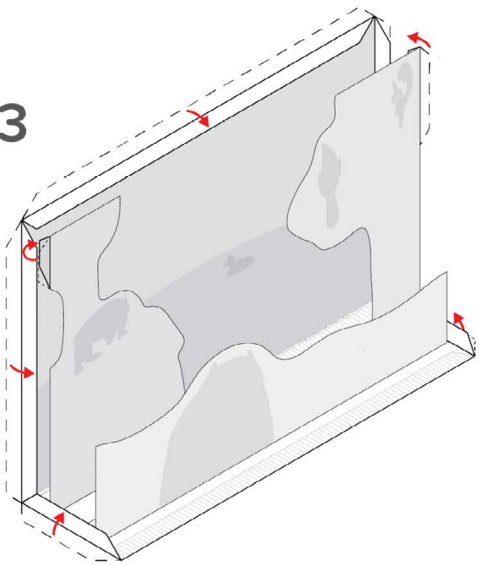
1



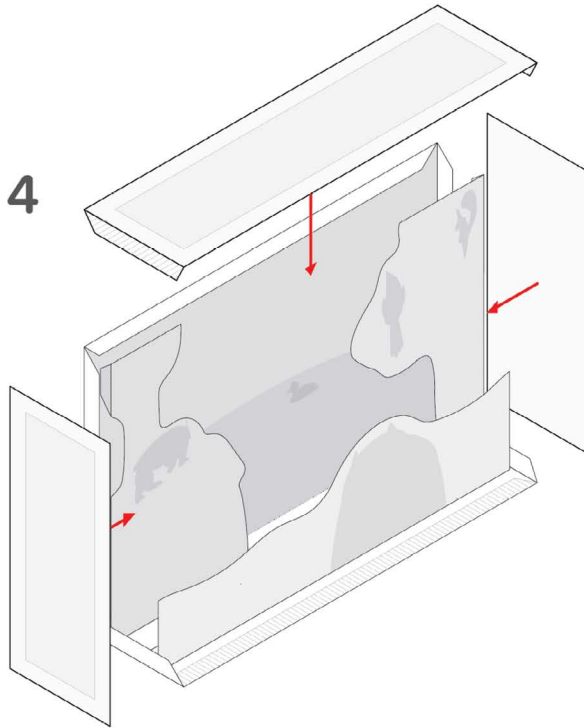
2



3



4



5

